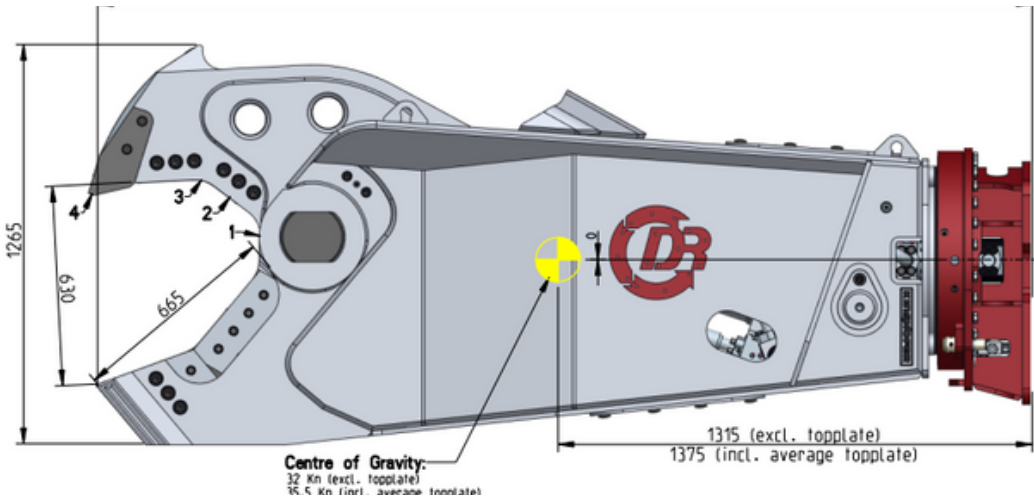


# Used Demarec DXS-40-A dedicated shear with DemaPower - 2021



### DXS-40-A specifications

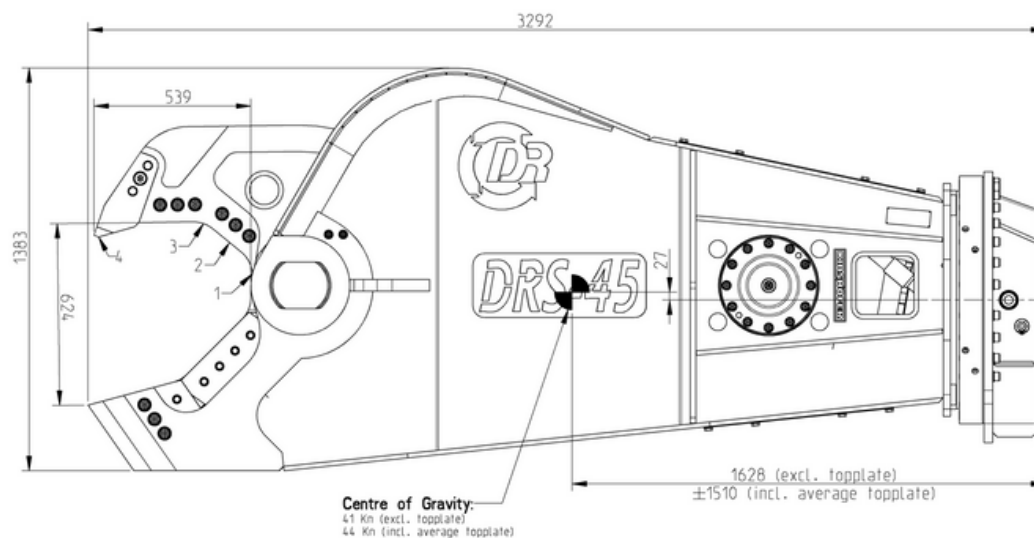
Machine class stick-mounted	25-40 ton <sup>1</sup>	
Machine class boom-mounted	18-25 ton <sup>1</sup>	
weight (excl.topplate)	3200 kg	
Length	2995 mm	
Height	1265 mm	
Width	720 mm	
Jaw opening	630 mm	
Jaw depth	665 mm	
Width lower jaw	400 mm	
Width upper jaw	121 mm	
Working pressure open/close	350 bar	380 bar
Closing force at 1	7555 KN	8200 KN
Closing force at 2	5375 KN	5835 KN
Closing force at 3	3195 KN	3470 KN
Closing force at 4	1760 KN	1910 KN
Flow open/close	200-300 L/min	
Working cycle open/close (at 300 L/min)	3.1 / 3.3 sec <sup>2</sup>	
Hydr. connection open/close	SAE 1-1/4" 6000 PSI	
OPTIONAL * Hydr. connection open/close	38S DIN 3861	
Working pressure rotate	140 bar	
Flow rotate	40-60 L/min	
Hydr. connection rotate	16S DIN 3861 / G1/2" DIN 259	
OPTIONAL ** Hydr. connection rotate	JIC 7/8"x14 UNF SAE J514 G1/2" DIN 259	

# Used Demarec DRS45A dedicated shear – 2019

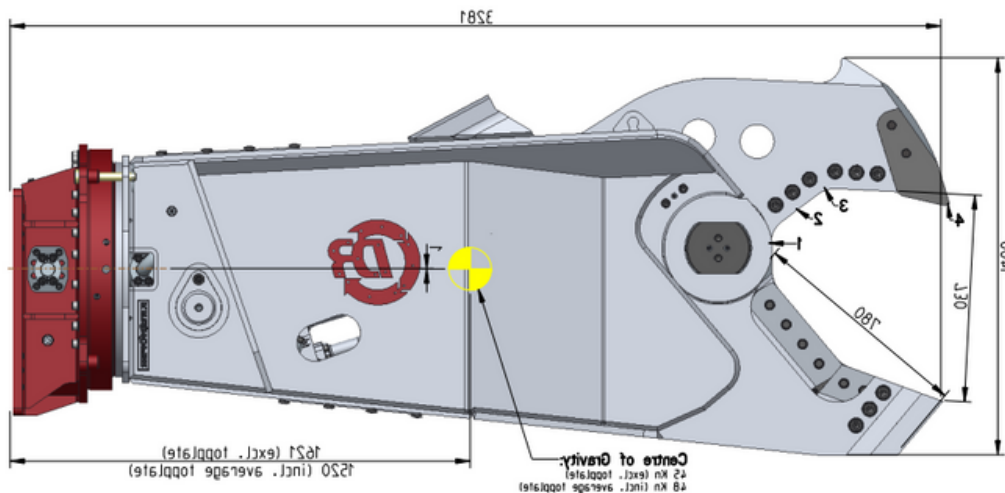


## DRS-45-A specifications

machine class stick-mounted	32 - 50 ton
Machine class boom-mounted	25-35 ton
weight (excl.topplate)	4100 kg
length	3290 mm
height	1380 mm
width	880 mm
jaw opening	625 mm
jaw depth	540 mm
width lower jaw	440 mm
width upper jaw	120 mm
closing force at 160 mm	8210 KN
closing force at 1	7720 KN
closing force at 2	4625 KN
closing force at 3	3355 KN
closing force at 4	1820 KN
working pressure open/close	380 bar
flow open/close	300-400 L/min
working cycle open/close	3.7 / 2.2 sec
working pressure rotate	140 bar
flow rotate	60 L/min
max. pressure drain line	n.a.



# Used Demarec DXS-50-A dedicated shear with DemaPower – 2019



DXS-50-A specifications		
Machine class stick-mounted	35-50 ton	
Machine class boom-mounted	25-35 ton	
weight (excl.topplate)	4500 kg	
Length	3281 mm	
Height	1400 mm	
Width	880 mm	
Jaw opening	730 mm	
Jaw depth	780 mm	
Width lower jaw	450 mm	
Width upper jaw	150 mm	
Working pressure open/close	350 bar	380 bar
Closing force at 1	9210 KN	10000 KN
Closing force at 2	5465 KN	5930 KN
Closing force at 3	3920 KN	4255 KN
Closing force at 4	2105 KN	2285 KN
Flow open/close	300-400 L/min	
Working cycle open/close (at 400 L/min)	2,8 / 3,7 sec #	
Hydr. connection open/close	SAE 1 1/2"-2" 6000 PSI	
OPTIONAL * Hydr. connection open/close	2x SAE 1-1/4" 6000 PSI	
Working pressure rotate	140 bar	
Flow rotate	60 L/min	
Hydr. connection rotate	16S DIN 3861 / G 3/2" DIN 259	
OPTIONAL ** Hydr. connection rotate	JIC 7/8"x1 1/4" UNF SAE J514 G1/2" DIN 259	